

SPECIFICATIONS

Engine

Volvo in-line 4-cylinder, 4 stroke, direct injection diesel engine, oil/air cooled. Air cleaning: 1. Paper filter with indicator in cab. 2. Safety filter. Compliant to Tier III / Stage 3A environmental regulations.

	L20F	L25F
Engine	D3,1A	D3,1A
Gross power @	2300 r/min	2300 r/min
SAE J1995	36.4 kW - 49.5 hp	36.4 kW - 49.5 hp
Net power @	2300 r/min	2300 r/min
SAE J1349 - DIN ISO 1585	35.8 kW - 48.7 hp	35.8 kW - 48.7 hp
Max torque @	1700 r/min	1700 r/min
SAE J1349 net - DIN ISO 1585	178.6 Nm -131.7 lbf-ft	178.6 Nm -131.7 lbf-ft
Cubic capacity	3108 cm ³ -189.7 in ³	3108 cm ³ -189.7 in ³
Bore	94 mm - 3.7 in	94 mm - 3.7 in
Stroke	112 mm - 4.4 in	112 mm - 4.4 in

Electrical system

	L20F	L25F
Voltage/Battery capacity	12V - 100 Ah	12V - 100 Ah
Alternator rating	1120 - 80 W/A	1120 - 80 W/A
Starter motor output	2,6 kW - 3,5 hp	2,6 kW - 3,5 hp

Drivetrain

	L20F	L25F
Oscillation at wheel, max.	226 mm	245 mm
Track	1300 mm	1410 mm
Angle of oscillation	±10°	±10°

Tyre:

	L20F	L25F
Size	12.0-18	12.5/80-18
Rim	11 x 18	11 x 18

Maximum speed:

	L20F	L25F
1st range forward/reverse	4.5 km/h	5 km/h
2nd range forward/reverse	20 km/h	20 km/h

Brake system

Service brake: reliable dual braking system, acting upon all four wheels.

Steering system

Hydrostatic steering. Central articulating-oscillating joint. Steering pump: gear-type pump.

	L20F	L25F
Steering:		
Angle of articulation	±38°	±38°

Steering system

	L20F	L25F
Steering pump:		
Flow @ engine r/min	25 l/min - 2300 r/min	25 l/min - 2300 r/min
Relief valve pressure	18.5 MPa	18.5 MPa

Cab

Instrumentation: All important information is located in the operator's field of vision.

Hydraulic system

Thermostatically controlled oil circuit with integrated cooling system. Hydraulic control valve: double acting control valve with three spool system.

	L20F	L25F
Control	Control valve three-spool system.	
3rd hydraulic circuit		
Flow @ engine r/min	55 l/min - 2300 r/min	55 l/min - 2300 r/min
Relief valve pressure	20 MPa	23 MPa

Linkage

Parallel linkage with high breakout force and exact parallel liftarm action.

	L20F	L25F
Lift cylinders / Tilt cylinders	1/1	1/1
Lift time (loaded)	6,0 s	6,0 s
Lowering time (empty)	4,0 s	4,0 s
Dump time	2,0 s	2,0 s
Crowd time	1,5 s	1,5 s

Capacities

	L20F	L25F
Engine	10,5 l	10,5 l
Fuel tank	60,0 l	60,0 l
Front axle	4,1 l	4,1 l
Rear axle, incl. drop-box	5,8 l	5,8 l
Hydraulic tank, incl. hydraulic system	60,0 l	60,0 l

Noise levels*

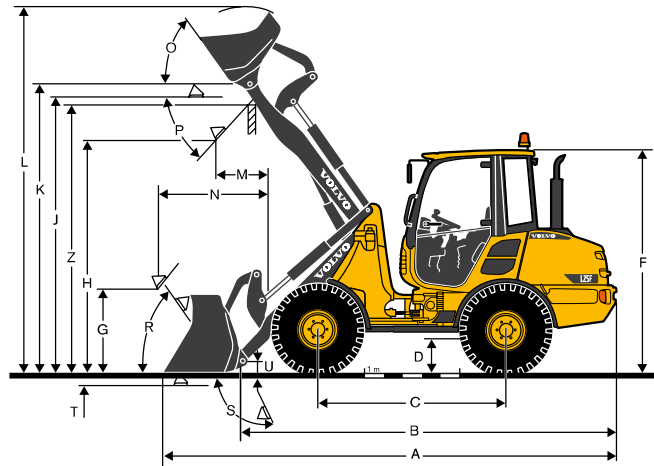
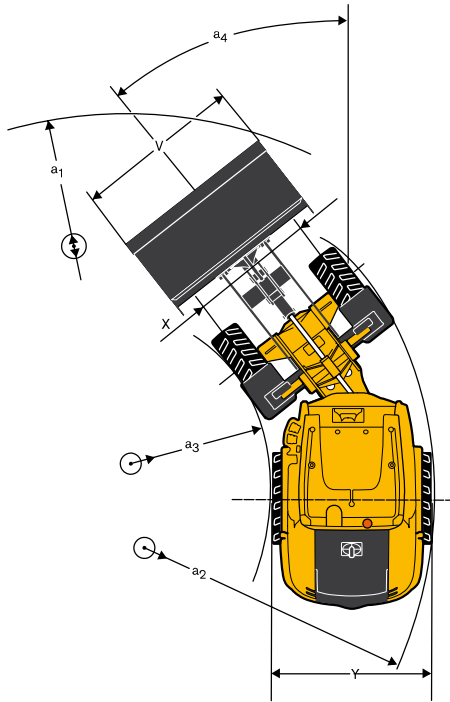
	L20F	L25F
Sound pressure level (LpA) at operator position	74 dB(A)	75 dB(A)
(Measurement according to ISO 6396)		
Sound power level (LWA) around the machine	99 dB(A)	99 dB(A)
(Measurement according to 2000/14/EC with applicable appendices and measuring method according to ISO 6395)		

Whole body vibrations

Emission of whole-body vibration values and its uncertainties during operating conditions in different applications, when the machine is used as intended, is according to information in ISO/CEN Technical Report ISO/TR25398.

*NOTE! Uncertainties in given noise values (e.g. uncertainty in production and measuring instruments) are calculated in accordance with ISO 6395:2008 for the sound power level around the machine and ISO 6396:2008 for the sound pressure level at the operator position.

SPECIFICATIONS L20F - L25F

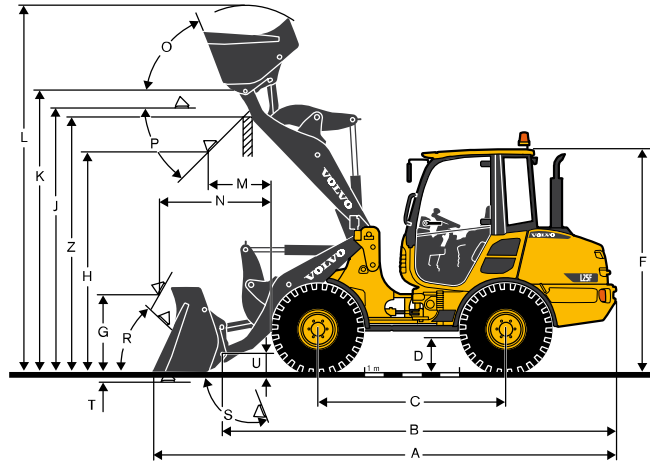
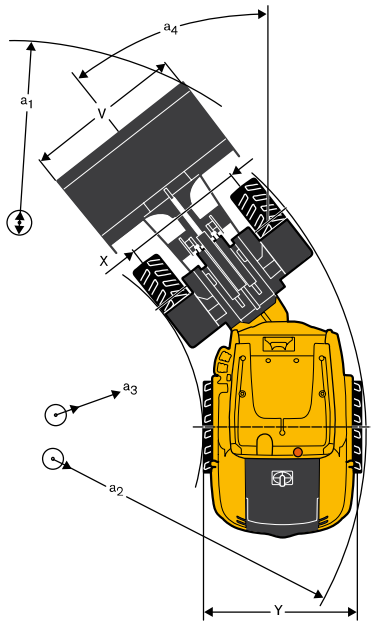


Data according to bucket type		General Purpose		Light material		4 in 1		High Tip			
		L20F	L25F	L20F	L25F	L20F	L25F	L20F	L25F		
L20F with parallel-linkage, 12.0-18 tyres. L25F with parallel linkage, P- attachment bracket and 12.5/80-18 tyres.											
Capacity heaped	m ³	0.7	0.85	0.85	1.0	1.0	1.2	0.65	0.8	1.1	1.1
Material density	kg/m ³	1900	1900	1600	1600	1400	1300	1900	1800	1000	1200
Static tipping load, straight (ISO / DIS)	kg	3250	3800	3200	3750	3150	3700	3000	3400	2500	3100
Static tipping load, full turn 38° (ISO / DIS)	kg	2900	3400	2850	3350	2800	3300	2650	3050	2250	2800
Hydraulic lifting capacity, max.	kN	35.0	41.0	34.0	40.2	33.5	39.5	32.5	37.8	28.0	34.0
Breakout force	kN	35.0	37.0	30.5	32.5	28.0	29.0	36.5	35.7	-	-
A Total length	mm	5035	5085	5135	5185	5195	5285	5005	5110	5510	5500
L Lift height, max.	mm	4060	4100	4140	4195	4190	4290	4070	4085	4890	4890
V Bucket width	mm	1650	1800	1650	1800	1800	1800	1650	1800	1800	1800
a ₁ Clearance circle	mm	8210	8370	8260	8425	8430	8480	8220	8405	8620	8610
T Digging depth	mm	120	105	120	105	120	105	160	145	120	105
H Dump height	mm	2510	2480	2435	2410	2395	2340	2480	2410	3540	3550
M Reach at max. height	mm	660	675	720	745	765	815	575	635	1005	985
N Reach, max.	mm	1475	1475	1535	1535	1580	1580	1390	1390	2140	2140
Operating weight	kg	4300	4800	4330	4830	4340	4860	4460	5010	4670	5140

	L20F with parallel-linkage, 12.0-18 tyres	L25F with parallel linkage, P- attachment bracket and 12.5/80-18 tyres
B	4275 mm	4265 mm
C	2050mm	2050mm
D	300 mm	320 mm
F	2460 mm	2485 mm
G	875 mm	840 mm
J	2980 mm	2990 mm
K	3125 mm	3140 mm
O	56°	56°
P	45°	45°
R	56°	54°
S	65°	65°
U	145 mm	145 mm
X	1300 mm	1410 mm
Y	1625 mm	1735 mm
Z	2885 mm	2895 mm
a ₃	3830 mm	3880 mm
a ₂	2160 mm	2100 mm
a ₄	±38°	±38°

Data with loading fork			
Centre of gravity 500 mm		L20F	L25F
Tipping load, full turn (ISO / DIS)	kg	2290	2670
Payload according to EN 474-3, 60/80%	kg	1350/1800	1600/2100
Payload 80%, transport position, 38° full tur	kg	2200	2500

SPECIFICATIONS L25F



Data according to bucket type		General Purpose		Light material		4 in 1	High-Tip
L25F with z-bar linkage and 335/80 R18 tyres							
Capacity heaped	m ³	0,9	1,0	1,2	1,4	0,8	1,2
Material density	kg/m ³	1800	1600	1300	1100	1800	1100
Static tipping load, straight (ISO / DIS)	kg	3615	3570	3475	3425	3300	3100
Static tipping load, full turn 38° (ISO / DIS)	kg	3255	3215	3125	3085	2975	2795
Hydraulic lifting capacity, max.	kN	55,0	54,2	52,8	52,0	51,5	48,0
Breakout force	kN	54,5	47,5	42,0	42,0	51,5	-
A Total length	mm	5265	5365	5470	5470	5305	5620
L Lift height, max.	mm	4135	4175	4265	4265	4050	4950
V Bucket width	mm	1800	1800	1800	2000	1800	1900
a ₁ Clearance circle	mm	8650	8710	8775	8960	8675	8960
T Digging depth	mm	100	100	100	100	105	1005
H Dump height	mm	2500	2420	2345	2345	2440	3610
M Reach at max. height	mm	745	815	885	885	730	955
N Reach, max.	mm	1525	1595	1665	1665	1510	2125
Operating weight	kg	4800	4800	4850	4880	4890	5100

L25F with z-bar linkage and 335/80 R18 tyres	
B	4470 mm
C	2125 mm
D	310 mm
F	2480 mm
G	850 mm
J	2970 mm
K	3170 mm
O	70°
P	45°
R	50°
S	96°
U	200 mm
X	1410 mm
Y	1740 mm
Z	2880 mm
a ₃	3935 mm
a ₂	2155 mm
a ₄	±38

Data with loading fork		
Centre of gravity 500 mm		
Tipping load, full turn (ISO / DIS)	kg	2500
Payload according to EN 474-3, 60/80%	kg	1500/2000
Payload 80%, transport position, 38° full tur	kg	2400